

## GD22 Plant On Rotary Latch

### Features

- A sturdy plant-on latch, easily installed, with the positive action of a rotary 'claw' combined with the convenience of operation by a directly – mounted handle
- Suitable for applications including off-road and specialist vehicles
- Latch slams against striker pin, and is released by rotation of inside / outside handle
- Two-stage latching action
- Integral safety catch on inside face prevents latch release
- Handle must be lifted upward to open.

### Material

- Body: Steel, zinc plated
- Handle: Black, nylon-dipped

### Product Performance

- Transverse load: Excess of 8,900 N

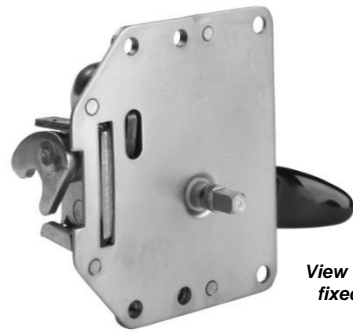
### Notes

- Fixing onto panel by screws/rivets through 6-off holes in flanges
- Heavy duty strikers sold separately:
  - For RH rotary latch - **G01582**
  - For LH rotary latch - **G01581**

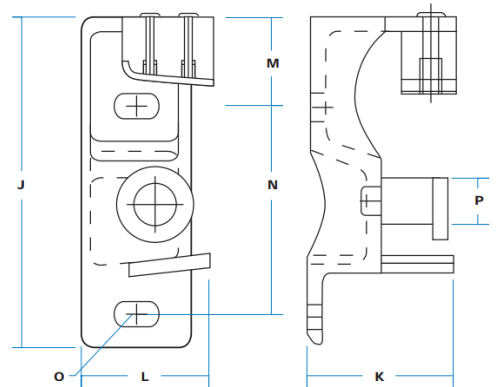
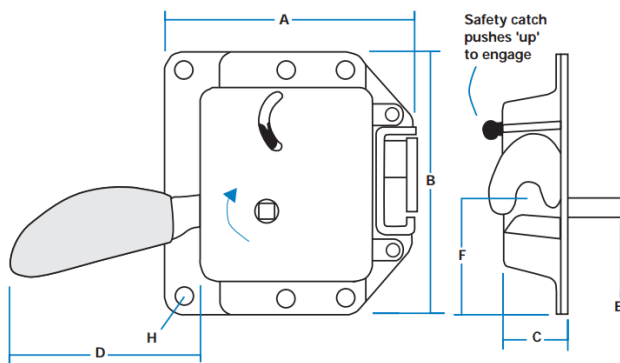


**GD22-G01223**  
(Right-side latch shown from inside with release handle and safety lock)

**GD22-G01582**  
(Heavy duty striker - RH)



*View from outside, with fixed operating shaft*



Part No.	Type	A	B	C	D	E	F	H	J	K	L	M	N	O	P
<b>GD22-G01223</b>	RH	115	127	30	82	8 mm sq x 25 mm	60	8	105	45	30	25	60	8 x 13	12.5
<b>GD22-G01224</b>	LH														